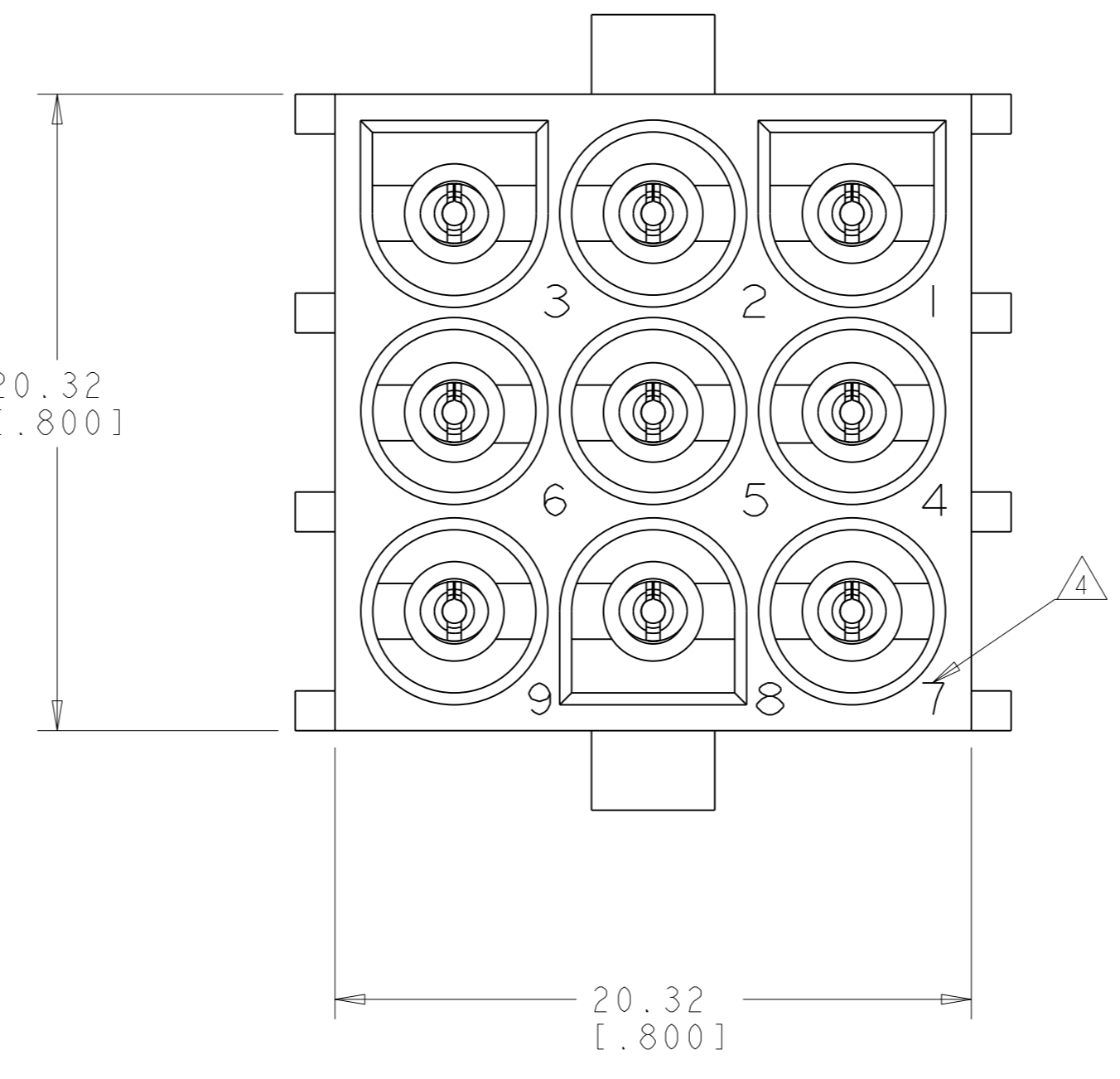
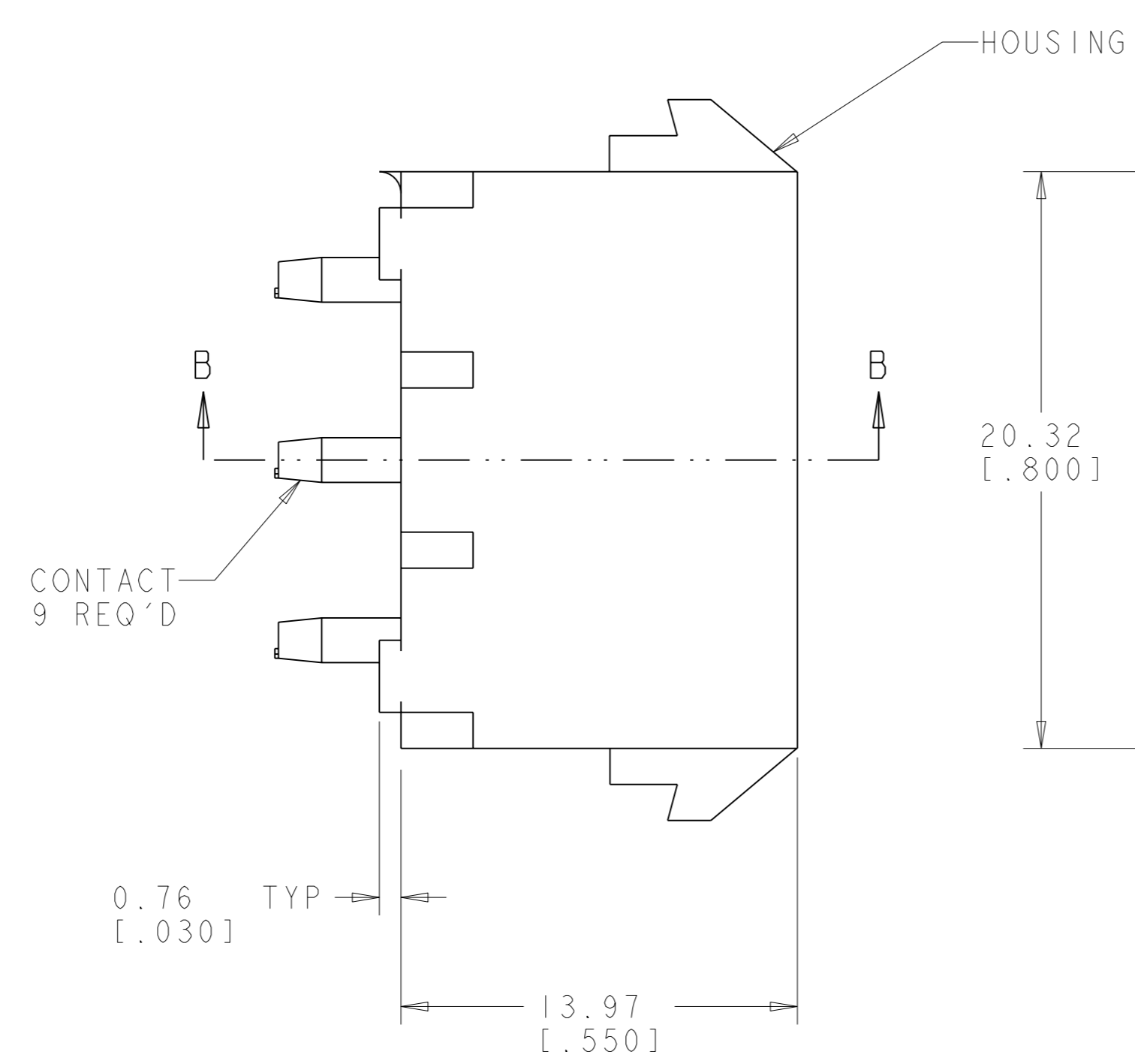
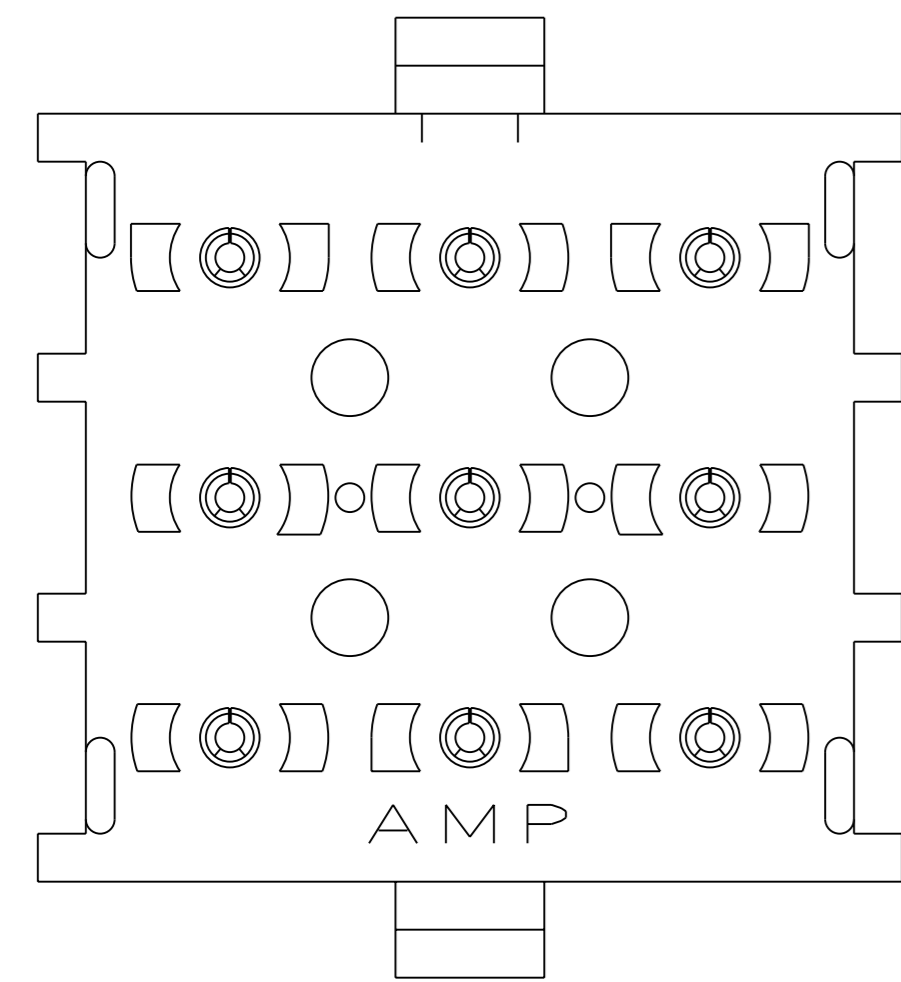
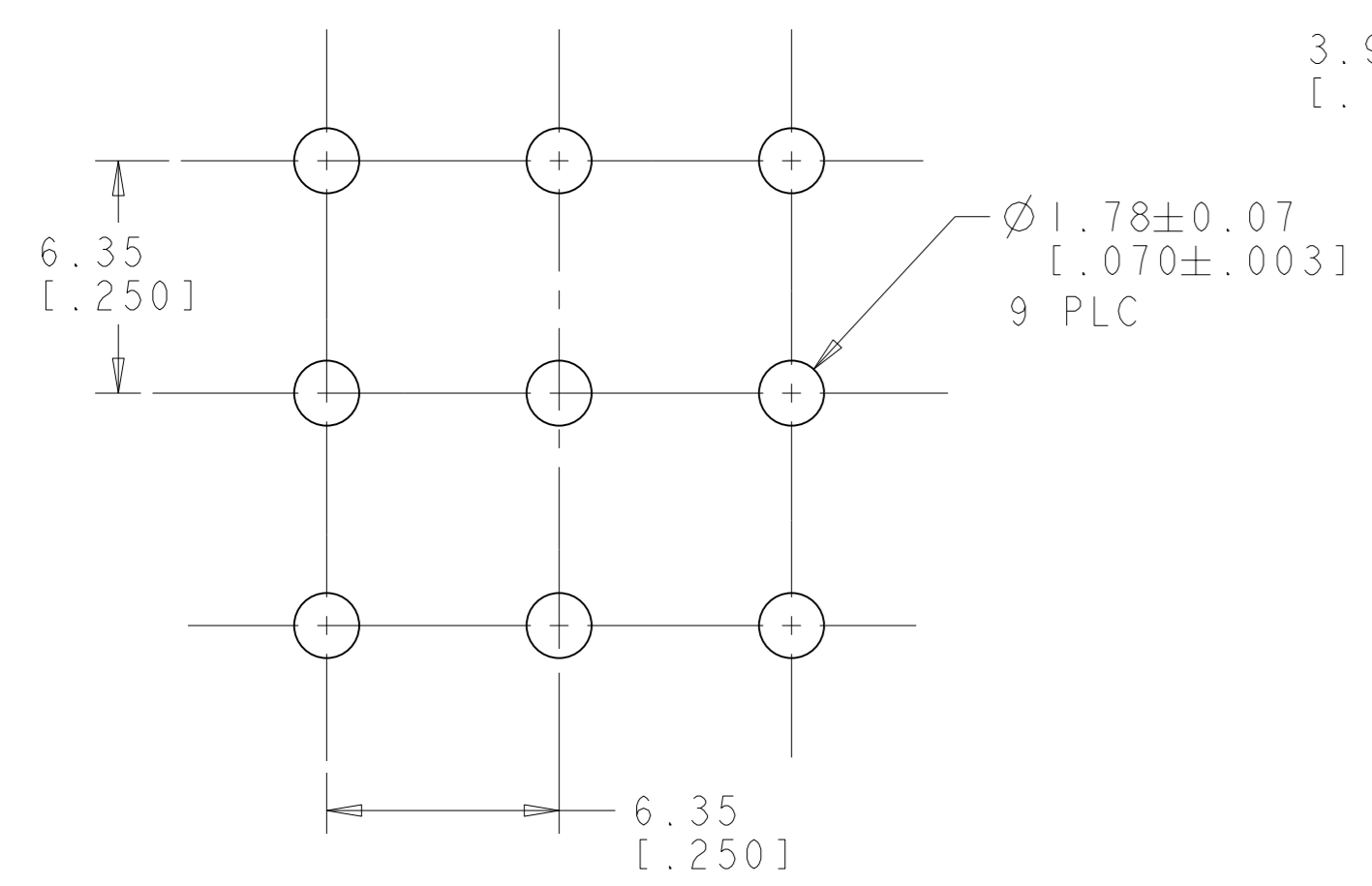
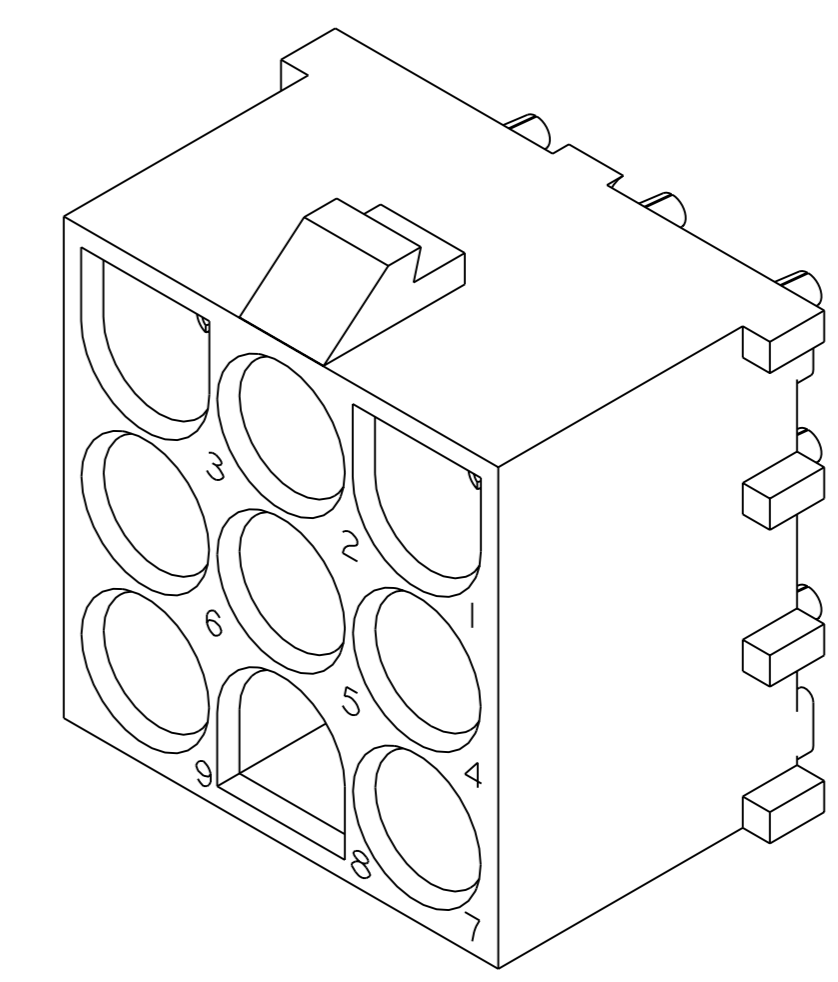
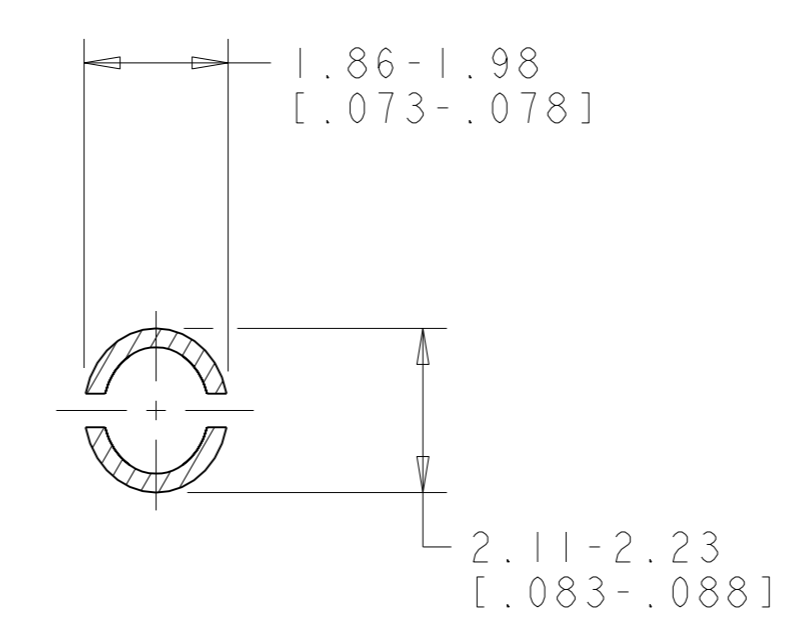
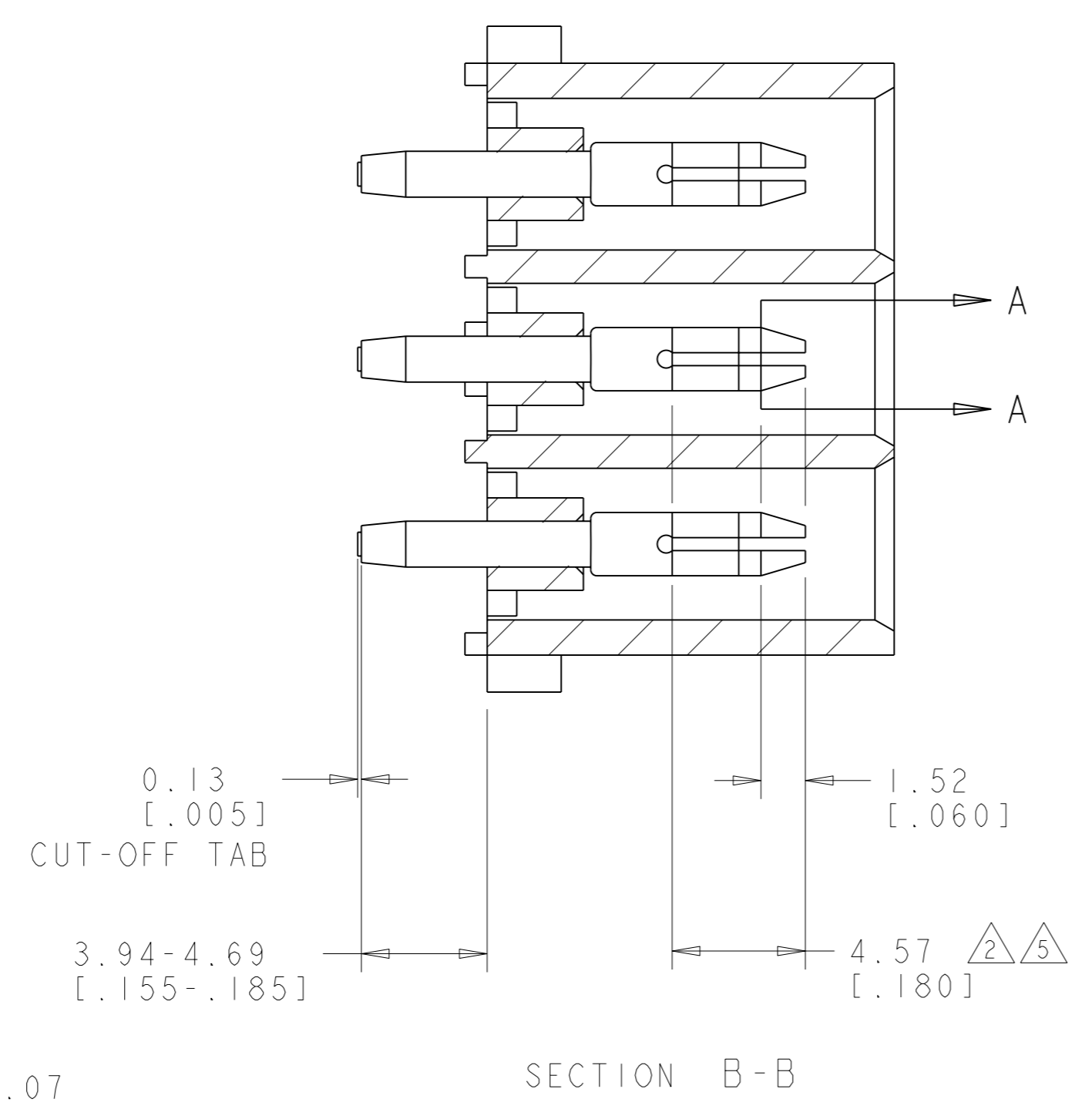


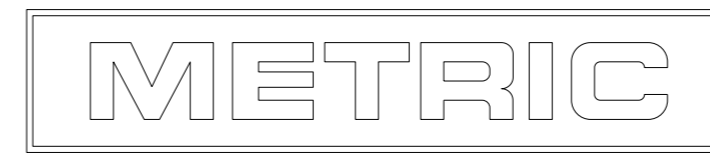
LOC		DIST		REVISIONS				
F	W	LTR	REVISED PER	DESCRIPTION	DATE	DWN	APVD	
	W		OG3B-1100-04		19JULY05	KW	SR	



- PARTS COMPLY TO AMP SOLDERABILITY SPECIFICATION 109-11-3.
- CONTACT IS PLATED OVERALL WITH 0.00127 [.000050] NICKEL, THEN 0.00076 [.000030] GOLD OVER CONTACT LENGTH INDICATED AND TIN LEAD ON SOLDER TAIL END.
- MATES WITH HOUSING 480706.
- CIRCUIT IDENTIFICATION CHARACTERS ARE ADJACENT TO THE INDICATED CAVITIES, BUT LOCATION AND ORIENTATION MAY DIFFER FROM PRINT.
- CONTACT IS PLATED OVERALL WITH 0.00127 [.000050] NICKEL, THEN 0.00076 [.000030] GOLD OVER CONTACT LENGTH INDICATED AND MATTE TIN ON SOLDER TAIL END.
- DIMENSIONS IN BRACKETS ARE IN INCHES.



PHOSPOR BRONZE, GOLD	NYLON, UL94V-2, NATURAL	350432-4
PHOSPOR BRONZE, GOLD	NYLON, UL94V-2, NATURAL	350432-2
PHOSPOR BRONZE, PRE-TIN	NYLON, UL94V-2, NATURAL	350432-1
PIN CONTACT MATERIAL AND FINISH	HOUSING MATERIAL AND COLOR	PART NUMBER



DIMENSIONS: mm [INCHES] TOLERANCES UNLESS OTHERWISE SPECIFIED: 0 PLC ± 1 PLC ± 2 PLC ±0.13(.005) 3 PLC ± 4 PLC ± ANGLES 40° 30'		DWN: K. WHITAKER 19JULY2005 CHK: S. RIDGILL 19JULY2005 APVD: S. RIDGILL 19JULY2005 NAME: PIN HEADER ASSEMBLY, 9 CIRCuits, UNIVERSAL MATE-N-LOK™ APPLICATION SPEC: - WEIGHT: - CUSTOMER DRAWING: -	Tyco Electronics Harrisburg, PA 17105-3608 SIZE: A 00779 ©=350432 SCALE: 5:1 SHEET: 1 OF 1 REV: W
--	--	---	--